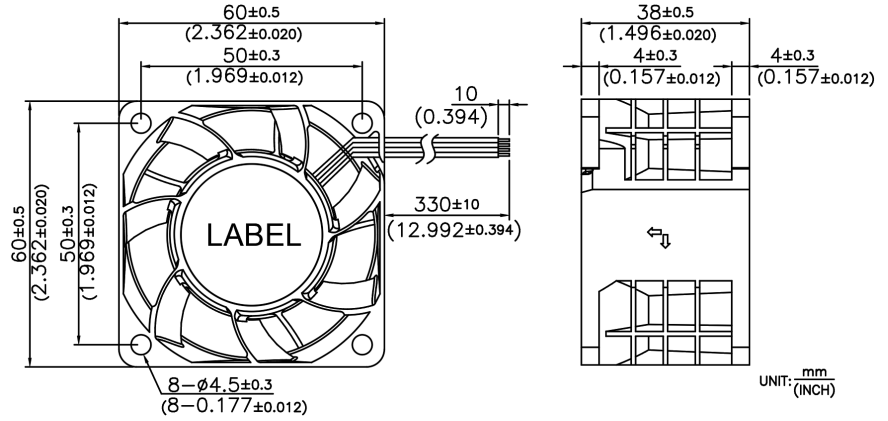
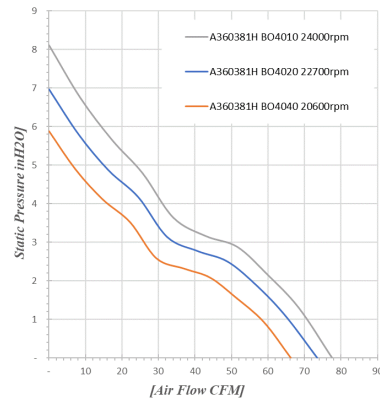


iCloud Fan 60*60*38 MM

DIMENSION DRAWING



- Housing : Plastic (UL 94V-0)
- Impeller : Plastic (UL 94V-0)
- Bearing : Ball bearing
- Lead Wires : UL10368 AWG22 OR Equivalent
- Mass : 130g



產品別	Model No.		Control Type	Bearing Type	Rated Voltage	Operating Voltage Range	Operating Temp.	Speed	Input Current	Input Power	Maximum Air Flow		Maximum Air Pressure		Noise
					VDC	VDC	°C	R.P.M	Amp	Watt	CFM	m ³ /min	inH2O	mmH2O	
6038 12V Series	A360381H	BO401000	+/-FG/PWM	Ball	12	10.2~13.8	-10~70	24000	3.05	36.6	79.1	2.24	7.3	185	72.3
	A360381H	BO402000	+/-FG/PWM	Ball	12	10.2~13.8	-10~70	22700	2.63	31.6	74.9	2.12	6.6	167	69.1
	A360381H	BO404000	+/-FG/PWM	Ball	12	10.2~13.8	-10~70	20600	2.20	26.4	67.9	1.92	5.4	138	66.6
	A160381M	BO405000	+/-FG/PWM	Ball	12	6.5~13.2	-10~70	18000	1.34	16.1	59.6	1.69	3.5	89	65.1
	A160381M	BO406000	+/-FG/PWM	Ball	12	6.5~13.2	-10~70	16000	1.05	12.6	53.4	1.51	3.0	76	62.4
	A160381M	BO407000	+/-FG/PWM	Ball	12	6.5~13.2	-10~70	14000	0.65	7.8	46.5	1.31	2.4	61	59.1
6038 24V Series	A160382H	BO401000	+/-FG/PWM	Ball	24	21.6~26.4	-10~70	24000	1.52	36.6	79.1	2.24	7.3	185	72.3
	A160382H	BO402000	+/-FG/PWM	Ball	24	21.6~26.4	-10~70	22700	1.32	31.6	74.9	2.12	6.6	167	69.1
	A160382H	BO404000	+/-FG/PWM	Ball	24	21.6~26.4	-10~70	20600	1.10	26.4	67.9	1.92	5.4	138	66.6
	A160382H	BO405000	+/-FG/PWM	Ball	24	21.6~26.4	-10~70	18000	0.68	16.3	59.6	1.69	3.5	89	65.1
	A160382H	BO406000	+/-FG/PWM	Ball	24	21.6~26.4	-10~70	16000	0.54	13.0	53.4	1.51	3.0	76	62.4
	A160382H	BO407000	+/-FG/PWM	Ball	24	21.6~26.4	-10~70	14000	0.33	7.8	46.5	1.31	2.4	61	59.1